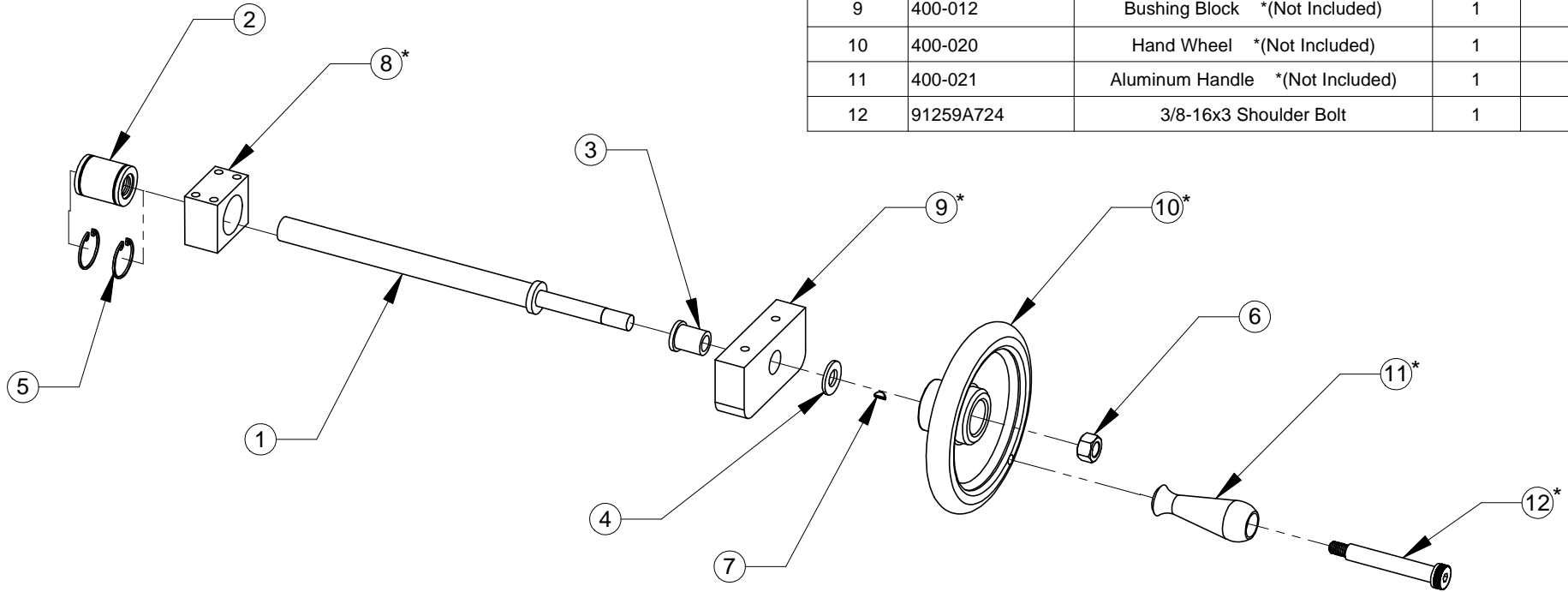


ITEM NO.	PART NUMBER	DESCRIPTION	QTY.	PRICE
1	400-005-LH	Left Hand Roton Screw	1	
2	400-009-LH	Left Hand Bronze Roton Nut	1	
3	400-512	Bronze Bushing	1	
4	400-513	Thrust Washer	1	
5	400-514	1.25 external snap ring	2	
6	400-515	1/2" Nylock Nut	1	
7	400-565	1/8" Woodruff Key	1	
8	400-011	Bronze Nut Block *(Not Included)	1	
9	400-012	Bushing Block *(Not Included)	1	
10	400-020	Hand Wheel *(Not Included)	1	
11	400-021	Aluminum Handle *(Not Included)	1	
12	91259A724	3/8-16x3 Shoulder Bolt	1	



NOTE:  
IN & OUT AJUST

**PROPRIETARY AND CONFIDENTIAL**  
THE INFORMATION CONTAINED IN THIS DRAWING IS THE SOLE PROPERTY OF MITTLER BROS. MACHINE & TOOL. ANY REPRODUCTION IN PART OR AS A WHOLE WITHOUT THE WRITTEN PERMISSION OF MITTLER BROS. MACHINE & TOOL IS PROHIBITED.

		UNLESS OTHERWISE SPECIFIED:		NAME	DATE	<b>MB MITTLER BROS. MACHINE &amp; TOOL</b> 10 Cooperative Way, Wright City, MO. 63390 (636)745-7757 Fax (636)745-2874	
		DIMENSIONS ARE IN INCHES		DRAWN	RKH		3/7/07
		TOLERANCES:		CHECKED			
		FRACTIONAL ±.015		ENG APPR.			
		ONE PLACE DECIMAL ±.010		MFG APPR.			
		TWO PLACE DECIMAL ±.005		Q.A.			
		THREE PLACE DECIMAL ±1°		COMMENTS			
		QUANTITY		TITLE:			
		MATERIAL		Repair Kit			
		FINISH		SIZE	DWG. NO.	REV	
NEXT ASSY	USED ON			<b>A</b>	400-301		
APPLICATION		DO NOT SCALE DRAWING		SCALE: 1:5	WEIGHT: 6.888	SHEET 1 OF 1	