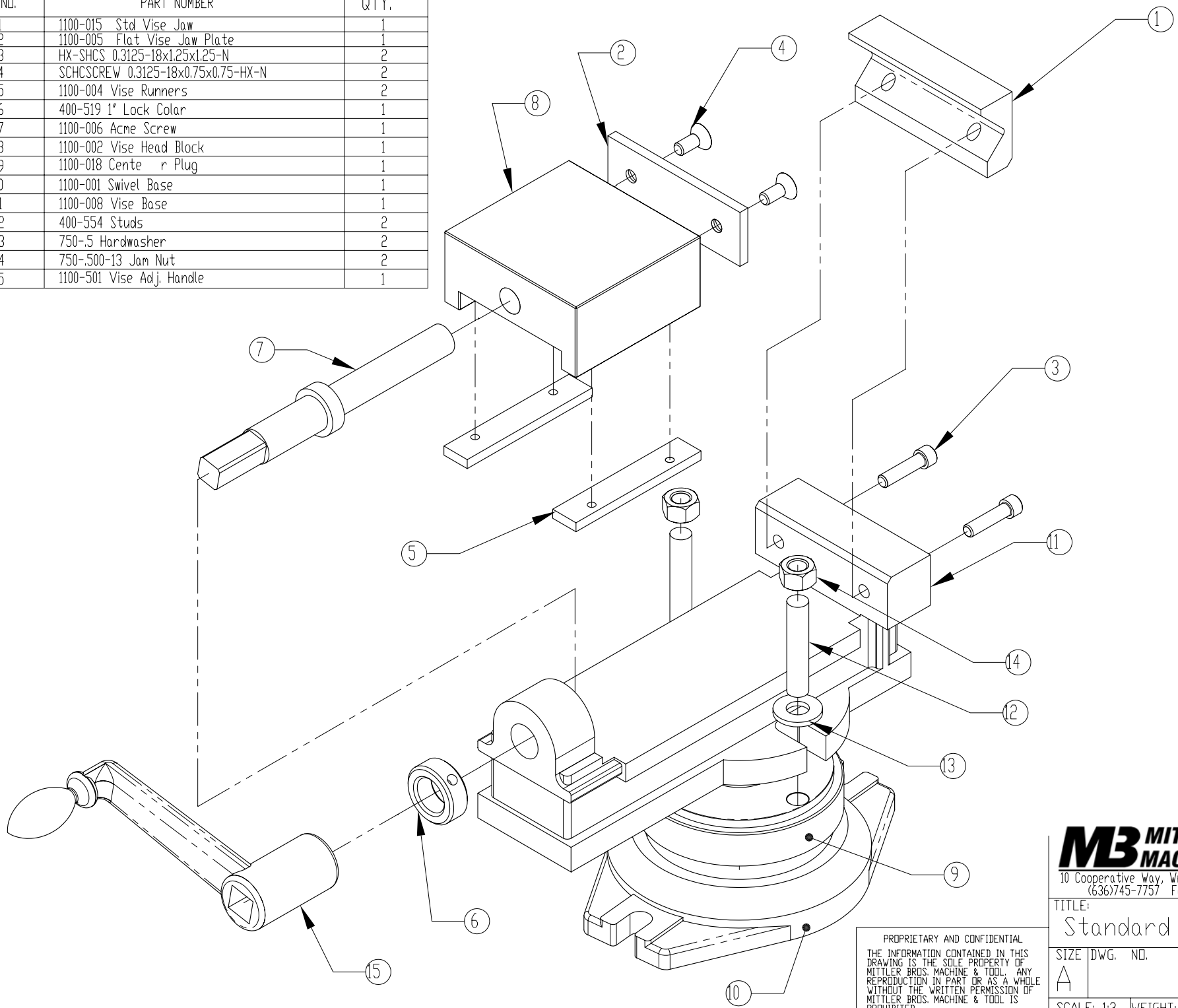


ITEM NO.	PART NUMBER	QTY.
1	1100-015 Std Vise Jaw	1
2	1100-005 Flat Vise Jaw Plate	1
3	HX-SHCS 0.3125-18x1.25x1.25-N	2
4	SCHCSCREW 0.3125-18x0.75x0.75-HX-N	2
5	1100-004 Vise Runners	2
6	400-519 1" Lock Color	1
7	1100-006 Acme Screw	1
8	1100-002 Vise Head Block	1
9	1100-018 Center Plug	1
10	1100-001 Swivel Base	1
11	1100-008 Vise Base	1
12	400-554 Studs	2
13	750-.5 Hardwasher	2
14	750-.500-13 Jam Nut	2
15	1100-501 Vise Adj. Handle	1



PROPRIETARY AND CONFIDENTIAL
 THE INFORMATION CONTAINED IN THIS
 DRAWING IS THE SOLE PROPERTY OF
 MITTLER BROS. MACHINE & TOOL. ANY
 REPRODUCTION IN PART OR AS A WHOLE
 WITHOUT THE WRITTEN PERMISSION OF
 MITTLER BROS. MACHINE & TOOL IS
 PROHIBITED.

**MB MITTLER BROS.
 MACHINE & TOOL**

10 Cooperative Way, Wright City, MD. 63390
 (636)745-7757 Fax (636)745-2874

TITLE:
 Standard Vise Config.

SIZE DWG. NO.
 A 1100-S

SCALE: 1:3 WEIGHT: 42.264 SHEET 1 OF 1